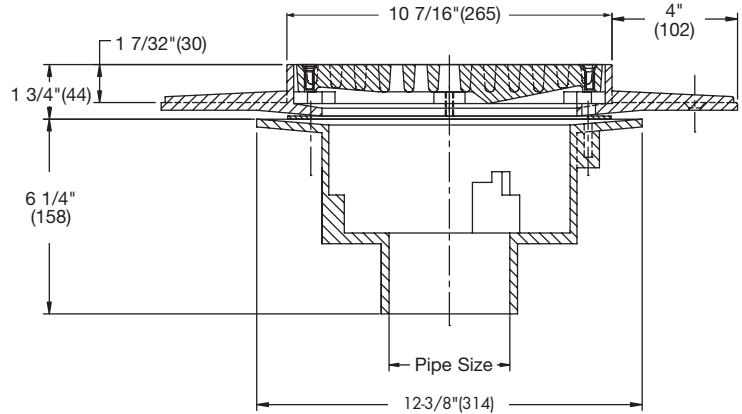


Parking Deck Drains

FD-920

Parking Deck Drain For Precast Slabs

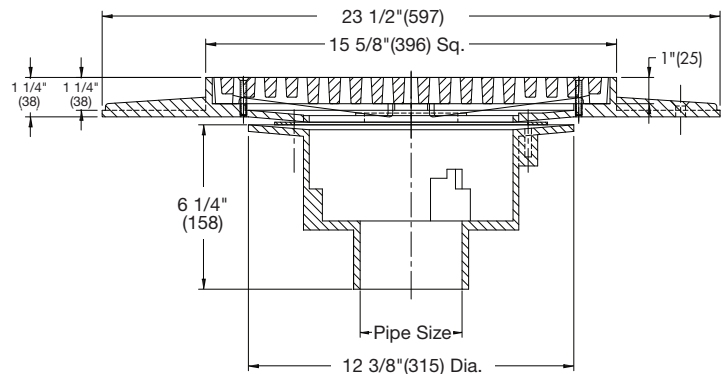
Model Number	Weight (lbs.)	Cover Size	Pipe Size	Grate	List Price
FD-922, 3, 4, 5, 6, 8	48	10"	2, 3, 4, 5, 6, 8,"	ductile iron	\$1,121.00



FD-930

Parking Deck Drain For Precast Slabs

Model Number	Weight (lbs.)	Cover Size	Pipe Size	Grate	List Price
FD-932, 3, 4, 5, 6, 8	85	15\"Sq.	2, 3, 4, 5, 6, 8,\"	ductile iron	\$3,060.50



Note: Funnels are ordered separately.
See page 63 for details.

Options for FD-930 Series:

Suffix	Description	List Price
None	No Hub	No Add
P	Push-On Outlet (2, 3, 4, 6\" only)	No Add
T	Threaded Outlet (2, 3, 4, 6\" only)	\$80.00
X	Inside Caulk Outlet (2, 3, 4, 6\" only)	No Add
-5	Sediment Bucket	189.00
-6	Vandal Proof	147.00
-13	Galvanized	1,010.00
D	Underdeck Clamp	240.50

Supplied By:



877-903-7246

www.commercialplumbingsupply.com



Consult factory for all applications outside of listed parameters.
Prices do not include applicable taxes.